

Features

| | |
|------------------|-----------------|
| Series: | T |
| Type: | 50 |
| Code: | 07.525.015.11 |
| Description: | T500610ENC12C12 |
| Customer's code: | - |
| Colour: | Black |

Last drawing

| | | | |
|--------|---|-------|---|
| Index: | - | Date: | - |
|--------|---|-------|---|

Application

| |
|---|
| - |
|---|

Driveline data

| | |
|---|--------------------|
| X | 1 3/8" Z6 DIN 9611 |
| Y | 1 3/8" Z6 DIN 9611 |
| E | 460 |
| I | 475 |
| P | 390 |

Overlap

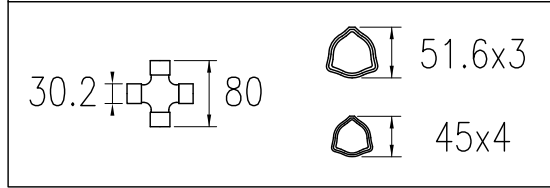
| | Steel tubes | Guard |
|------|-------------|-------|
| Max. | 431 | 370 |
| Min. | 159 | 98 |

Greasing point

| | |
|----|---|
| 1) | - |
| 2) | - |

The dimensioning is cross to cross

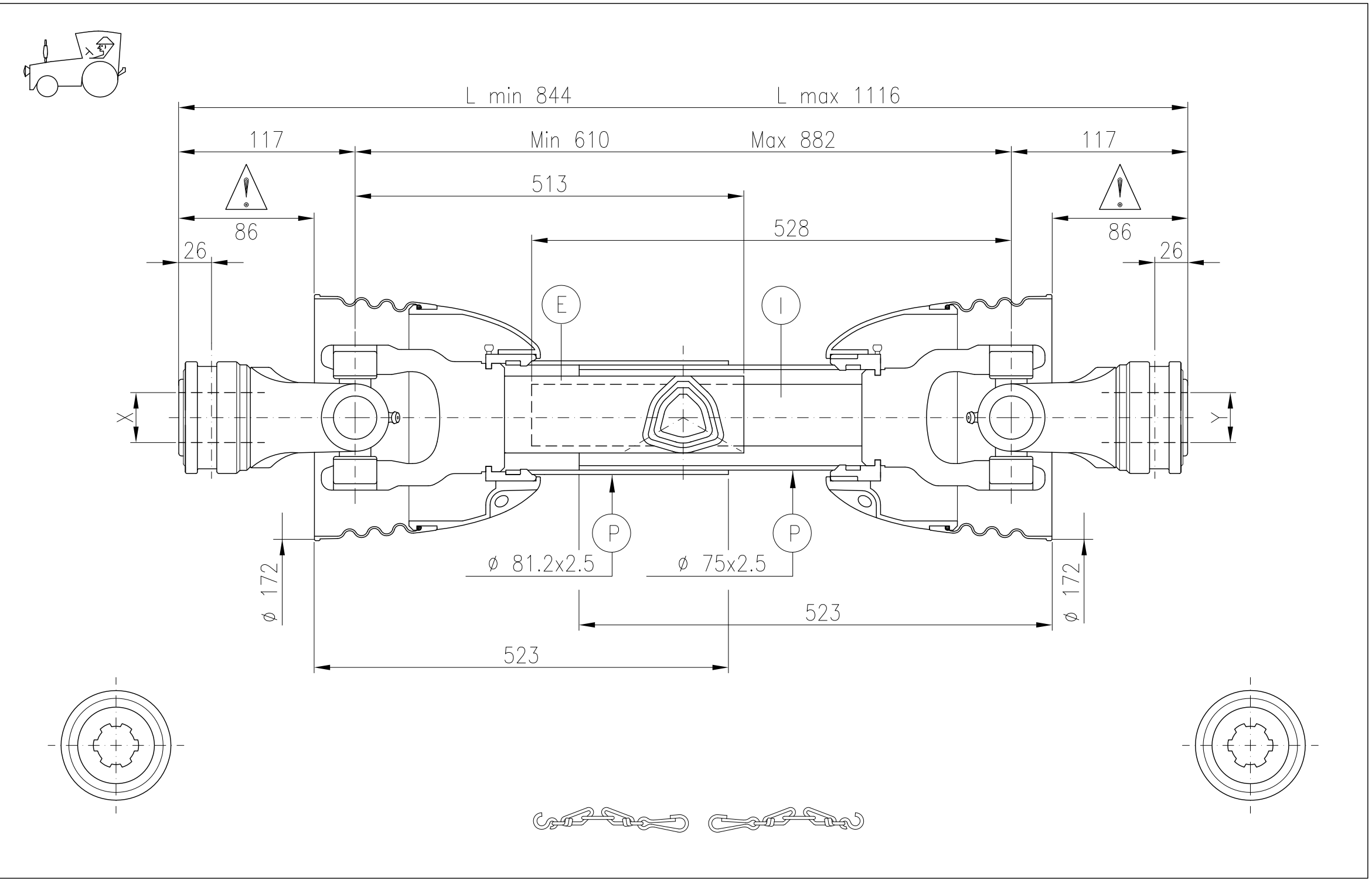
Cross and tubes



| End fittings | | Max. torque |
|--------------|----------|-------------|
| Tractor | Cod: C12 | - |
| Implement | Cod: C12 | - |

Notes:
 CERTIFIED

Warning !
 Sections of driveline marked are not shielded and must be shielded by an interactive guarding system.
 COMER spa declines responsibility if proper guards are not provided or maintained.



| Data 540 r.p.m. | | | |
|-----------------|----|-----|--------|
| KW | CV | Nm. | in.lb. |
| 35 | 47 | 620 | 5500 |

| Data 1000 r.p.m. | | | |
|------------------|----|-----|--------|
| KW | CV | Nm. | in.lb. |
| 54 | 74 | 520 | 4600 |

1100 min.⁻¹
 r.p.m. max.

| Data for only critical velocity | |
|---------------------------------|-------------|
| 540 r.p.m. | 1000 r.p.m. |
| Max. - | Max. - |
| L max. - | L max. - |

Continuous operation data and conditions, working angle 5°, average life 1000 hours

Customer: _____
 Date: 28-08-20

Checked: _____ Signed by: A.Sa.